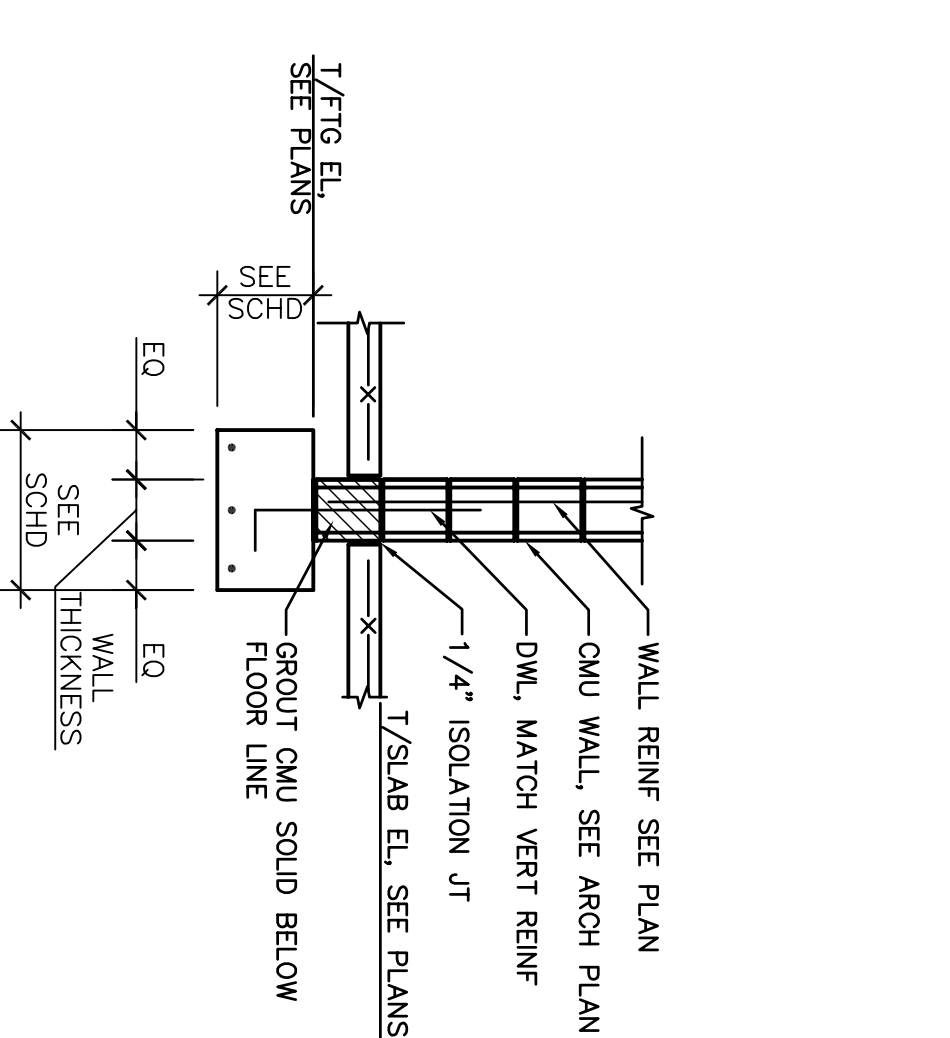


WALL FOOTING SCHEDULE				
MARK	SIZE		REINFORCING	REMARKS
	WIDTH (FT & IN)	THICKNESS (FT & IN)		
WF-16-E	1'-4"	TRENCH FTG	2-#5 CONT 18#	
WF-16-I	1'-4"	12"	2-#5 CONT 80T	
WF-16-E	1'-6"	TRENCH FTG	2-#5 CONT 18#	
WF-24-I	2'-0"	12"	3-#5 CONT 80T	

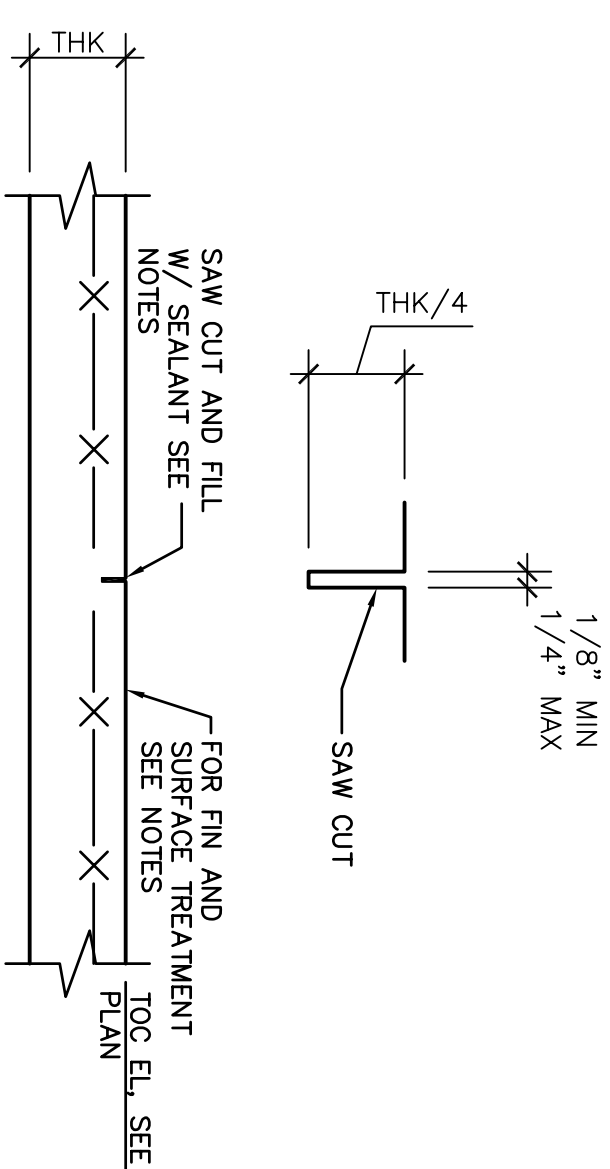
SPREAD FOOTING SCHEDULE				
MARK	SIZE		REINFORCING	REMARKS
	LENGTH (FT & IN)	WIDTH (FT & IN)		
F-5050	5'-0"	5'-0"	6-#5 BOT 8-#5 BOT	

FOUNDATION NOTES:
 1. FOR LOCATION AND ORIENTATION OF FOOTINGS SEE FOUNDATION PLANS.
 2. COORDINATE LOCATION OF ANCHOR BOLTS.

4 FOUNDATION SCHEDULE
 SCALE: 1/2"=1'-0"

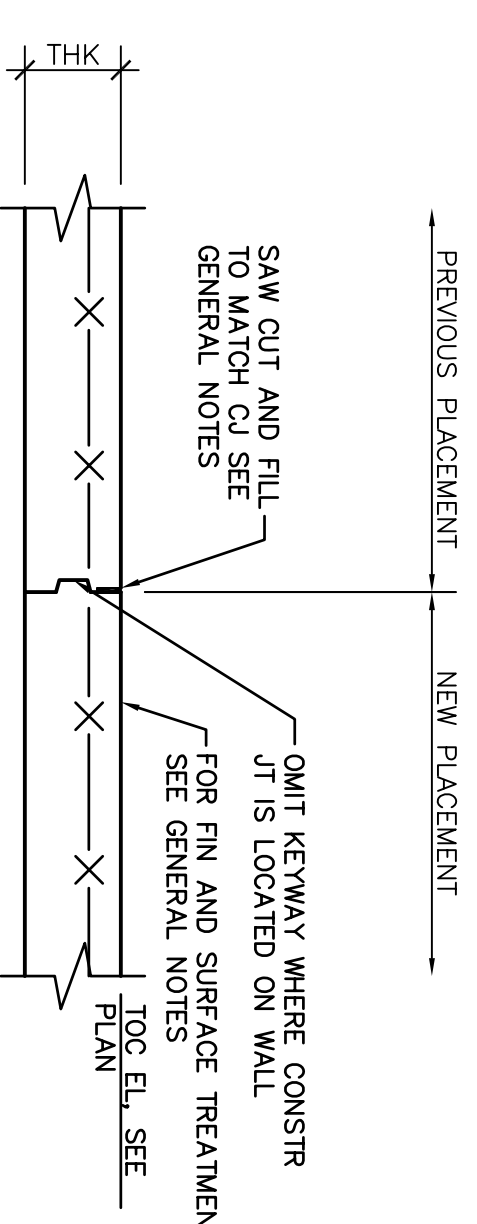


8 TYPICAL INTERIOR WALL PAD FOUNDATION
 SCALE: 1/2"=1'-0"



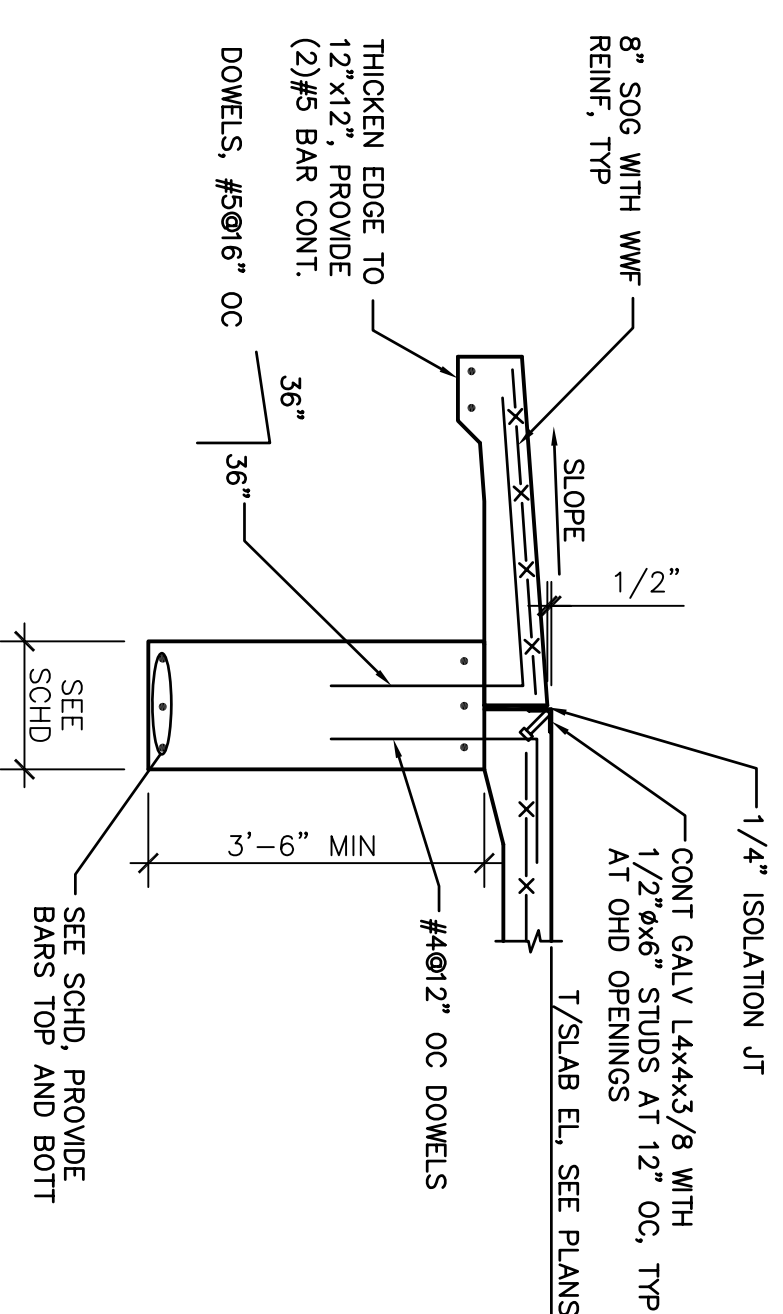
3 TYPICAL SLAB ON GRADE CONTROL JOINT DETAIL
 SCALE: 1"=1'-0"

NOTES:
 1. SEE TYPICAL SLAB-ON-GRADE DETAIL FOR ADDITIONAL INFORMATION.
 2. MAX CONTROL JOINT SPACING IS 11'-0" IN EA DIRECTION FOR 4" SOG, 18'-0" OC FOR 6" SOG.

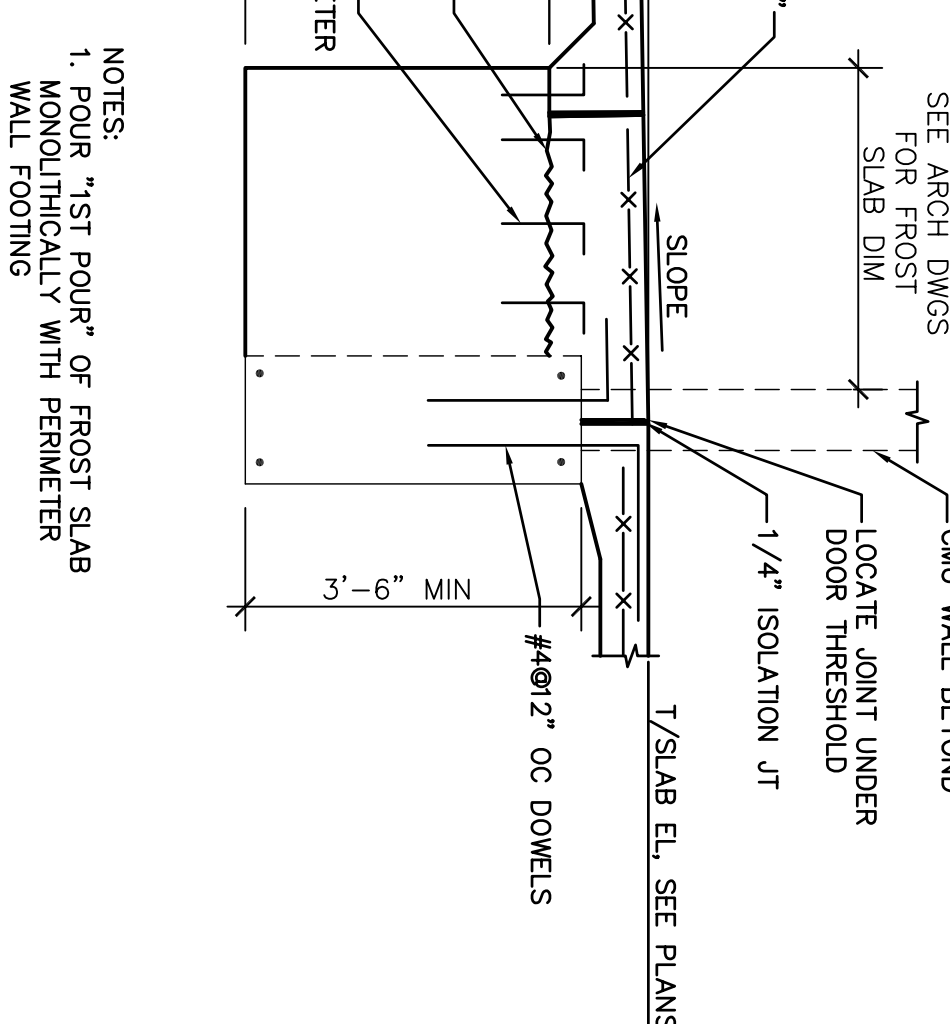


2 TYPICAL SLAB ON GRADE CONSTRUCTION JOINT DETAIL
 SCALE: 1"=1'-0"

NOTES:
 1. SEE TYPICAL SLAB-ON-GRADE DETAIL FOR ADDITIONAL INFORMATION.
 2. CONSTR JT MAY REPLACE C.J.

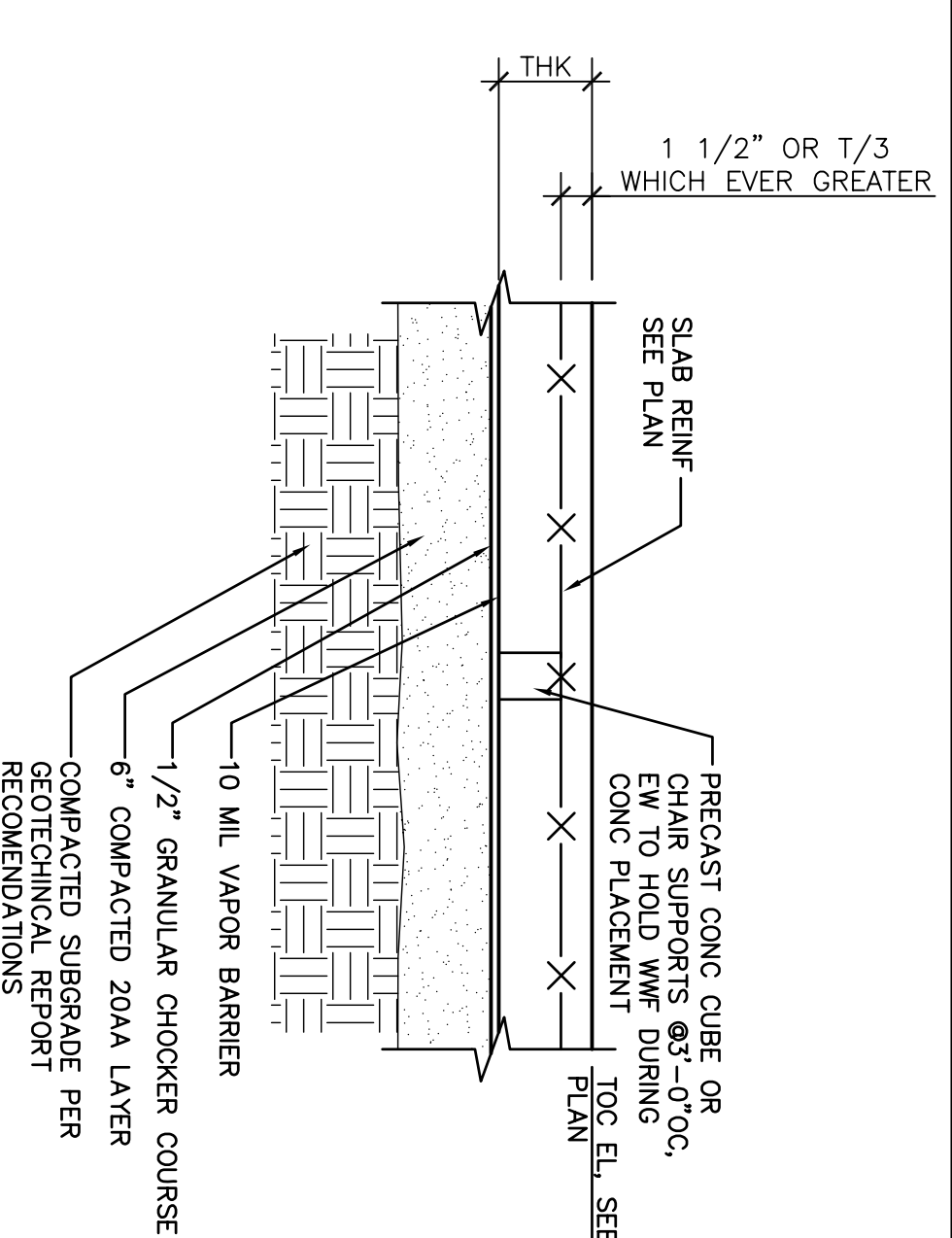


7 TYPICAL FROST APRON DETAIL
 SCALE: 1/2"=1'-0"



6 TYPICAL FROST PROTECTION DETAIL AT OPNG
 SCALE: 1/2"=1'-0"

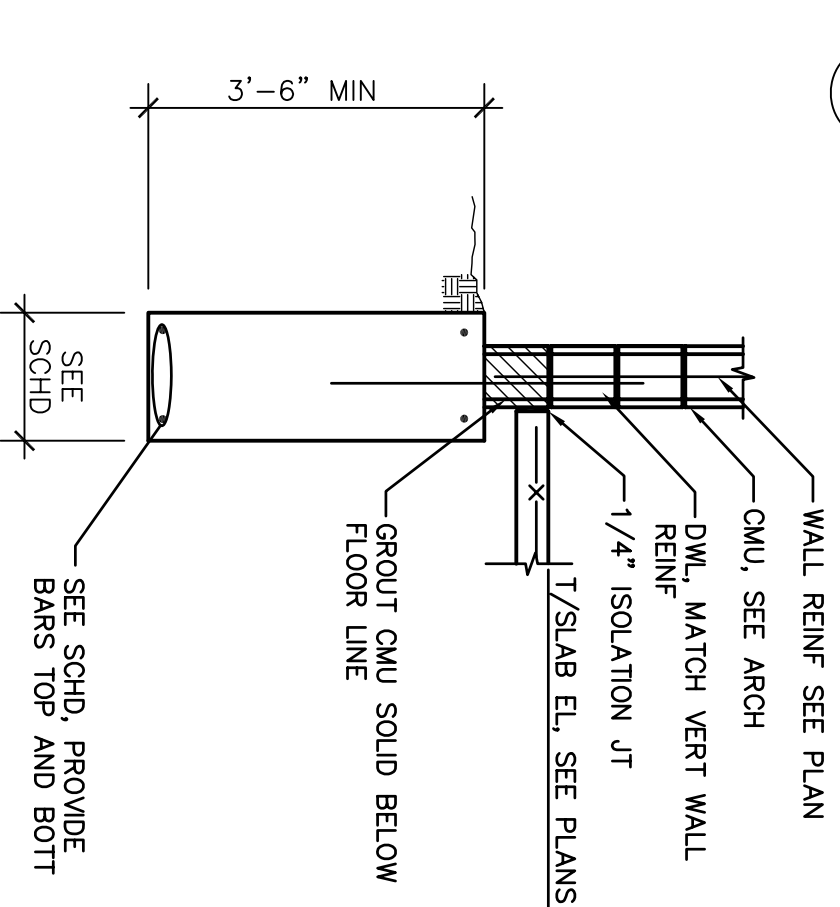
NOTES:
 1. POUR "1ST POUR" OF FROST SLAB MONOLITHICALLY WITH PERIMETER WALL FOOTING.



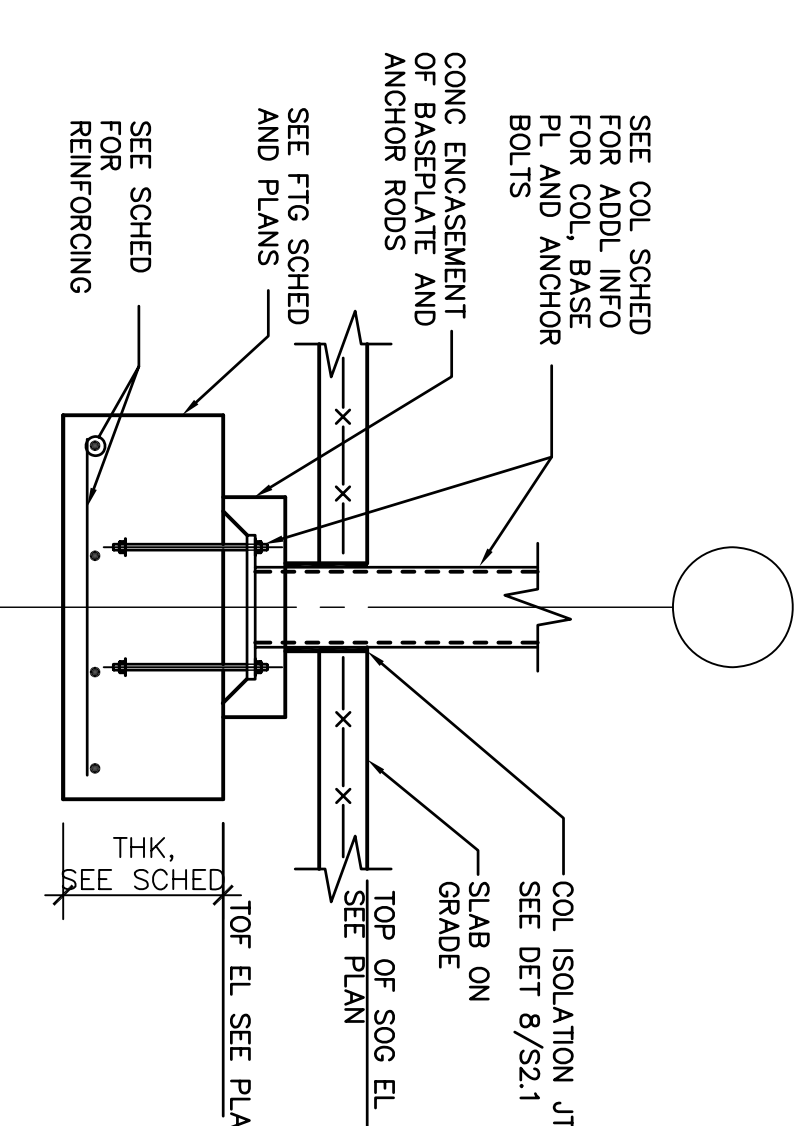
SLAB-ON-GRADE (SOG) SCHEDULE	
MARK	SIZE
SOG-4	4" CONC SLAB
SOG-6	6" CONC SLAB
SOG-8	8" CONC SLAB

REINFORCING	REMARKS
W1.4W1.4 & 6"X6" WVF ON 10MIL VAPOR RETARDER	
STEEL FIBER REINFORCED 2" STEEL FIBERS, 30#/CUBIC YARD DOSAGE RATE ON 10 MIL VAPOR RETARDER	
STEEL FIBER REINFORCED 2" STEEL FIBERS, 40#/CUBIC YARD DOSAGE RATE	

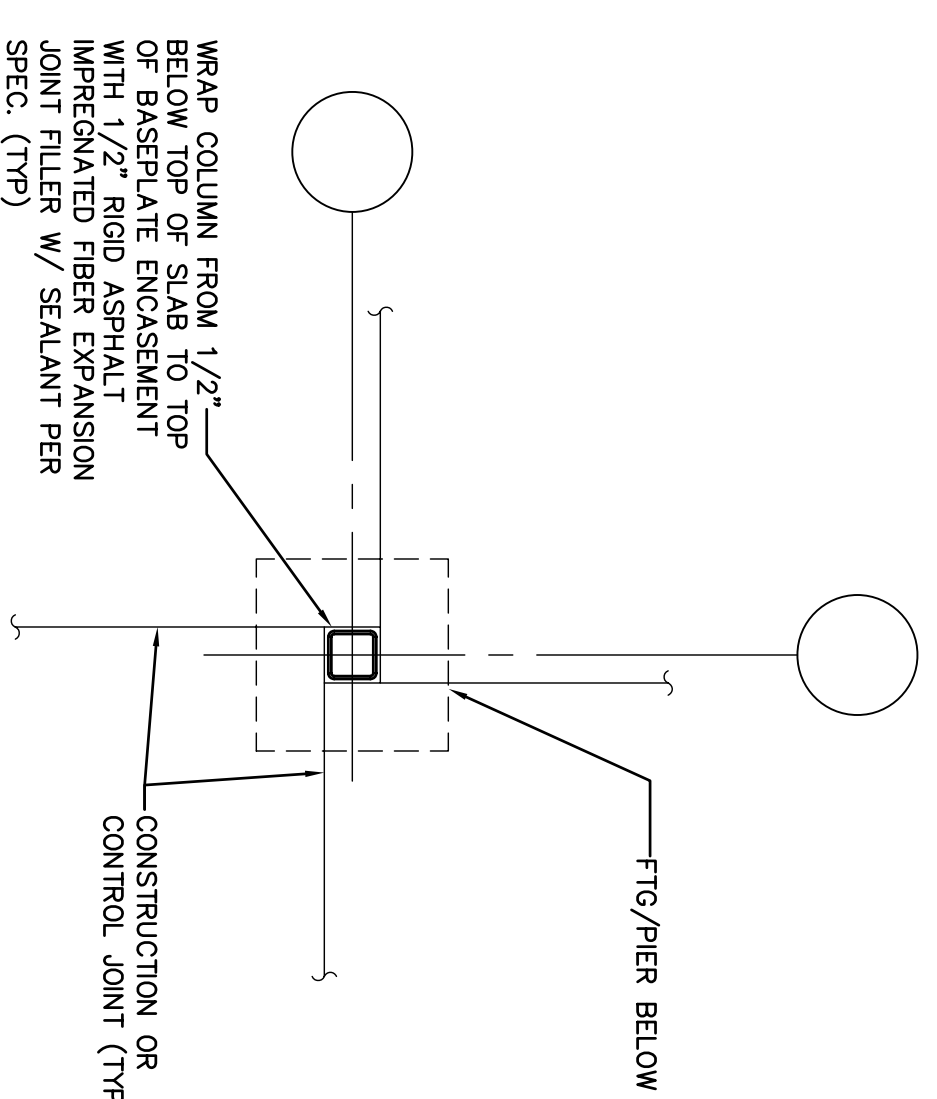
1 TYPICAL SLAB ON GRADE DETAIL
 SCALE: 1"=1'-0"



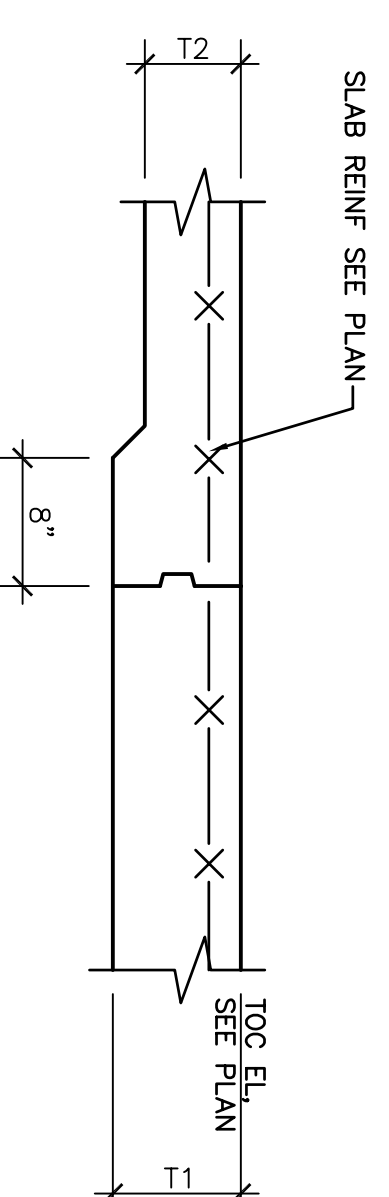
5 TYPICAL TRENCH FOUNDATION SECTION
 SCALE: 1/2"=1'-0"



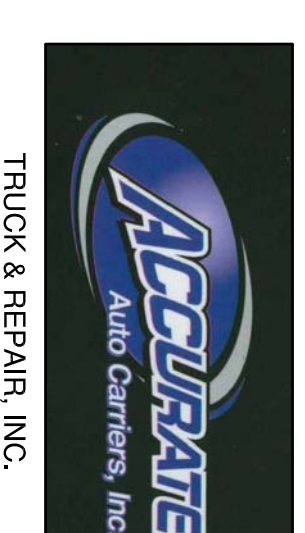
9 TYPICAL INTERIOR FOOTING
 SCALE: 1/2"=1'-0"



10 TYPICAL COLUMN ISOLATION JOINT
 SCALE: 1/2"=1'-0"



11 TYPICAL SLAB ON GRADE THICKNESS TRANSITION DETAIL
 SCALE: 1"=1'-0"



TRUCK & REPAIR, INC.

FES GROUP

Facility Engineering Services

28036 Oakland Oaks Ct.
 Wixom, MI 48393
 Phone: (248) 344-2800
 Fax: (248) 344-1650
 Web: www.fesgroupinc.com

Accurate Auto Carriers
 Maintenance Facility

In Charge: _____
 Designed: CAS
 Drawn: KKK
 Checked: CAS
 Approved: CAS
 Date: 03/19/09

CONCRETE SECTIONS
 AND DETAILS

Job Number: MI-08060
 Sheet Number: S2.1.0